

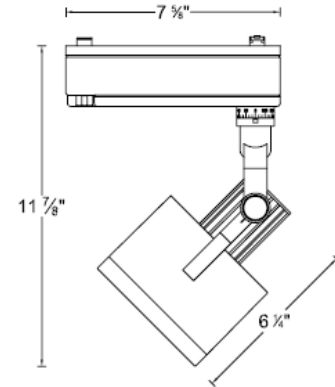
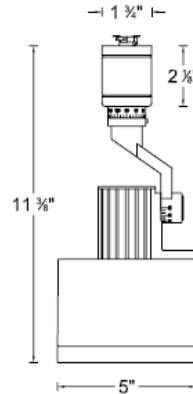


615 South Street
 Garden City, NY 11530
 Tel: 866.788.2100 Fax: 516.393.3084
 www.W2lighting.com

CATALOG NUMBER	TYPE
PROJECT	

VAMP SPOT – METAL HALIDE TRACK HEAD

SERIES HID 201



Ordering Matrix

Model	Wattage	Finish
JHT-HID201	39E = 35W 70E = 70W	BK = Black WT = White PT = Platinum

Ordering Example (model -Wattage- finish) : JTK-HID201-39E-WT

Product Details

Description: HID Metal Halide track head using CDM R111 lamps. Designed for use on W.A.C. J & J2 tracks. May be used on W2 track with converter. Adaptable to other manufacturer's track. (Consult factory for specific brands).

Materials: Die-cast aluminum fixture, cap ring and check ring. Clear 1/8 inch tempered glass lens included.

Ballast:

	<u>35W</u>	<u>70W</u>
(VS)	ANSI # : M130	M139
	Line Current : 0.38 Amps	0.64 Amps
	Input Power : 45W	77W
	Input Voltage : 120V	120V
	Power Factor : > 90%	> 90%
	Sound Rating : A	A

Socket: Ceramic HID GX8.5

Aiming: 350° horizontal rotation and 90° vertical aiming with indexing scales. Spring loaded buttons lock to secure the aiming adjustment on horizontal and vertical axis.

Lamping: Re-lamps from the front using CDM R111 lamps. Lamp not included.

Finish: Powder coat paint finish. Available in Black (BK), White (WT), Platinum (PT).

Listing: UL & CUL Listed. Patent Pending.

Specification Features

- Die-cast aluminum fixture with integral indexing scales to assure precise directional adjustment.
- Threaded lens cap holds up to 4 lenses and accessories securely.
- The track head utilizes the second circuit on the J2 style track with the use of the JCLIP.
- The track head may be used on W2 style track with the use of CV-2T-MH (for 120V)
- 5 year product warranty.

Track Adaptor Information

Standard Adaptor
For J style
W2 & W.A.C track



J2 Adaptor
For J2 style
W2 & W.A.C track



JCLIP
Ordered when using track
heads on 2nd circuit of J2



Converter Information

CV-2T-MH On 120V W2 style track



Compatible Accessories –USE SIZE 111

• **Dichroic Lens**
LENS-111-DIC-COLOR

• **UV Filter**
LENS-111-UVF

• **IR Filter**
LENS-111-IR

• **UV- IR Filter**
LENS-111-UI

• **Beam Elongator**
LENS-111-BEL

• **Beam Soft/Beam Spread Lens**
LENS-111-BSL / LENS-111-SPR

• **Block Screen**
LENS-1113-BS/ LENS-1114-BS/ LENS-1115-BS

• **Hood (for wall-washing)**
HOOD-111-BK

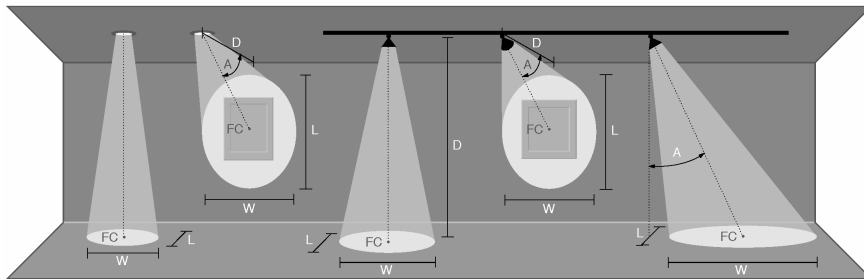
• **Cross Louver**
LENS-112-CRL

• **Snoot**
LENS-111-SNOOT

• **Honeycomb Louver**
LENS-112-HCL

• **Barn Door**
TL-111-BD

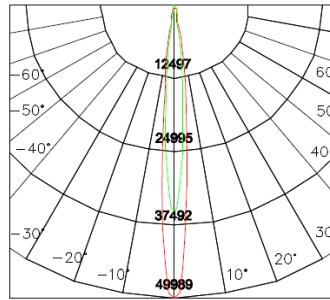
Photometry



D Distance To Fixture From Wall Or Floor
FC Initial Footcandle Level At Center Of Beam
L Beam Length (where candpower drops to 50% of maximum)
W Beam Width (where candpower drops to 50% of maximum)

CDM R111 39W (8 DEG)				
0° Aiming Angle				
D(ft)	FC	W	L	
6	973	1.0	1.0	
9	432	1.6	1.6	
12	243	2.1	2.1	
15	156	2.6	2.6	
45° Aiming Angle				
D(ft)	FC	W	L	
6	344	2.1	1.5	
9	153	3.2	2.2	
12	86	4.2	3.0	
15	55	5.3	3.7	

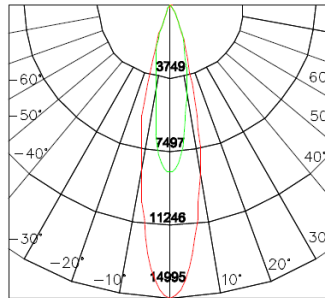
CDM R111 70W (8 DEG)				
0° Aiming Angle				
D(ft)	FC	W	L	
6	1389	1.0	1.0	
9	617	1.6	1.6	
12	347	2.1	2.1	
15	222	2.6	2.6	
45° Aiming Angle				
D(ft)	FC	W	L	
6	491	2.1	1.5	
9	218	3.2	2.2	
12	123	4.2	3.0	
15	79	5.3	3.7	



— 39W CBCP 35015
— 70W CBCP 49989

CDM R111 39W (24 DEG)				
0° Aiming Angle				
D(ft)	FC	W	L	
6	237	2.6	2.6	
9	105	3.8	3.8	
12	59	5.1	5.1	
15	38	6.4	6.4	
45° Aiming Angle				
D(ft)	FC	W	L	
6	84	5.3	3.6	
9	37	8.0	5.4	
12	21	10.7	7.2	
15	13	13.4	9.0	

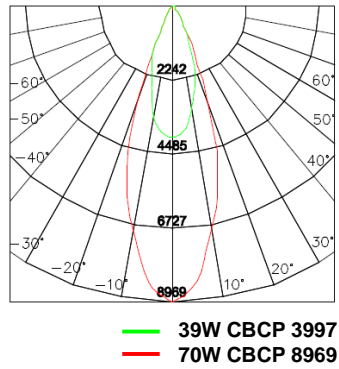
CDM R111 70W (24 DEG)				
0° Aiming Angle				
D(ft)	FC	W	L	
6	417	2.6	2.6	
9	185	3.8	3.8	
12	104	5.1	5.1	
15	67	6.4	6.4	
45° Aiming Angle				
D(ft)	FC	W	L	
6	147	5.3	3.6	
9	65	8.0	5.4	
12	37	10.7	7.2	
15	24	13.4	9.0	



— 39W CBCP 8534
— 70W CBCP 14995

CDM R111 39W (40 DEG)			
0° Aiming Angle			
D(ft)	FC	W	L
6	111	4.4	4.4
9	49	6.6	6.6
12	28	8.7	8.7
15	18	10.9	10.9
45° Aiming Angle			
D(ft)	FC	W	L
6	39	10.1	6.2
9	17	15.1	9.3
12	10	20.1	12.4
15	6	25.2	15.4

CDM R111 70W (40 DEG)			
0° Aiming Angle			
D(ft)	FC	W	L
6	249	4.4	4.4
9	111	6.6	6.6
12	62	8.7	8.7
15	40	10.9	10.9
45° Aiming Angle			
D(ft)	FC	W	L
6	88	10.1	6.2
9	39	15.1	9.3
12	22	20.1	12.4
15	14	25.2	15.4



W2 Architectural Lighting reserves the right to modify the design of our products as part of our continuous improvement program.