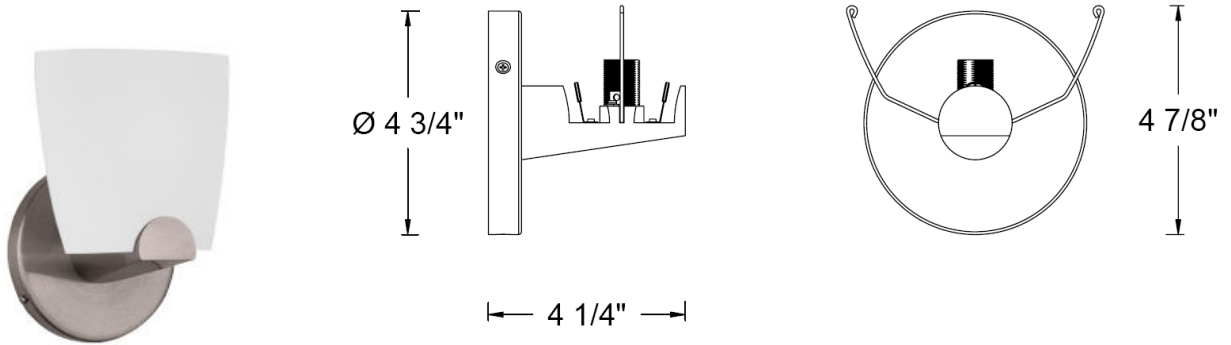


CATALOG NUMBER	TYPE
PROJECT	

DECORATIVE WALL SCONCE

MODEL WS53-G513WT



Ordering Matrix

Model Number	Shade	Sconce Finishes	
[]	[]	[]	[]
WS53	G513WT	BN	CH

Ordering Example (model number – shade + sconce finishes): WS53-G513WT/BN

Product Details

Description:	Line voltage wall sconce with round finished metal front fascia. The sconce is made of brass, with plated Chrome or Brushed Nickel finished.
Mounting:	Surface mounted. Installs to a standard 4" junction box. Shade mounts to the sconce arm and is secured with threaded locking nut.
Lamping	B-10 base, candelabra style incandescent lamp. 120V 60 watt max. One 60w lamp included with canopy. Dim the WS-MR53H with a standard incandescent or electronic low voltage dimmer.
Sconce Finish:	CH = Chrome BN = Brushed Nickel
Shade:	Ella – G513 Ella's soft profile and appealing hues are the stars of this show. The casing inside these charming shades provides a warm, natural white light that will illuminate any space beautiful.
Listing:	UL & CUL Listed.

Specification Features

- A complete wall sconce consists of the wall canopy and a shade.
- Center mounted vertical lamp configuration allows illumination of the whole glass shade.
- The wall sconce is available in multiple standard glass shade styles and multiple color options
- 5 year WAC Lighting product warranty.